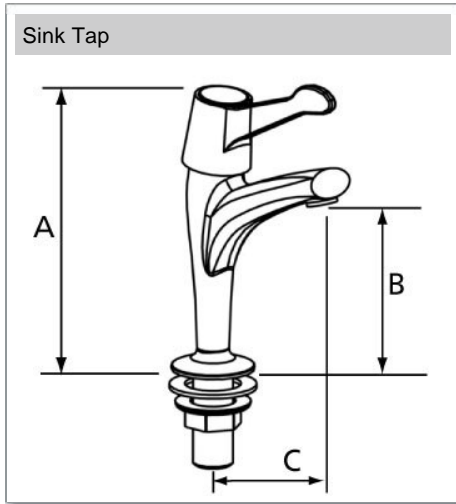




Mercia QT Sink Tap



Code	Description	A	B	C
351907	1/2 CP MERCIA QT HN KITCHEN TAP PAIR	147	101	78

Pegler Yorkshire reserve the right to change specifications

10 Year Guarantee Luxury Taps and Mixers

Pegler Yorkshire Customcare 10 Year Guarantee - Terms and Conditions

Product are subject to a 10 year guarantee that is between Pegler Yorkshire and the final purchaser of the product.

The guarantee is subject to proof of purchase being supplied.

This guarantee does not affect any statutory rights the consumer may have in law.

The guarantee covers manufacturing or material defects and does not cover parts subject to normal wear and tear.

Finishes other than chrome are covered for a period of 3 years only and the guarantee on the finish is subject to the cleaning instructions being followed.

The guarantee is not applicable where the product is fitted contrary to the conditions in the fitting instructions.

Abusive behaviour and accidental damage to the product are not covered by this guarantee.

The extent of this liability is limited to the cost of the replacement of the defective item and not to fitting or consequential damages.

Description	Minimum Operating Pressure (bar)	Maximum Cold Working Pressure (bar)	Maximum Hot Working Pressure (bar)
Sink Taps	0.2 bar	6.0 bar at temperatures up to 85oC	Not Suitable for Maximum Hot Working Pressure

Care

To maintain the surface finish, simply wipe occasionally with a mild detergent on a soft damp cloth. Dry, using a soft cloth. Never use abrasive cleaners or chemical household cleaners and avoid contact with concentrated bleach.

Maintenance

No regular maintenance is required for this product.

In case of complete replacement Pegler recommend service valves should be fitted to the supply inlets.

For any further help or replacement parts please contact the Service Support Team on 0800 1560050.

Regulations

It is important to ensure that the water supplies to your taps and mixers are connected in accordance with the water regulations (WRAS) requirements and good plumbing practice.

If the water flow streams are separate all the way to the outlet of the fitting, then there is no requirement to fit check valves to the cold and hot pipes even if the supply pressures are unbalanced.

Component	Material
Body	Cast Brass

Backnut	Forged Brass
Anti-rotational washer	Polyethelene
Head	Brass Bar
Spindle	Brass Bar
Seals	Rubber
Seat Washer	Rubber
Valve	Brass Bar
Headwork Washer	Stainless Steel

Pegler Yorkshire Group Ltd, St Catherine's Ave, Doncaster, S Yorkshire, DN4 8DF
Telephone: Phone +44 (0) 844 243 4400 Fax: +44 (0) 844 243 9870 Website: www.pegler-yorkshire.co.uk
Registered office : Pegler Yorkshire Group Ltd, St Catherine's Ave, Doncaster, S Yorkshire, DN4 8DF Company no : 00401507

WRAS[®]

Water Regulations Advisory Scheme

This certifies that

PEGLER YORKSHIRE GROUP LTD.

has had the undermentioned product examined, tested and found, when correctly installed, to comply with the requirements of the United Kingdom Water Supply (Water Fittings) Regulations/Scottish Water Byelaws.

**MERCIA MODERN, QT, CROSS TOP & POLO
HIGH NECK PILLAR TAPS**

Reference should be made to the accompanying acceptance letter for installation requirements

*The product so mentioned will be listed in the
Water Fittings and Materials Directory
for a period until:*

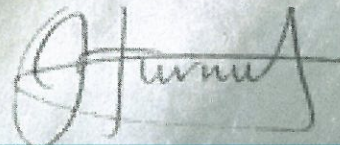
09 JUNE 2014

0906006

Certificate No.



Chairman, Test and Assessment Group



Secretary

WRAS
**APPROVED
PRODUCT**